

Varaosaluettelo

Spare parts list



PALAX Power 70 PALAX Power 70s

SARJANUMERO _____

VALMISTUSVUOSI _____

PALAX
Lahdentie 9
61400 Ylistaro, FINLAND
Tel. +358 6 4745100
Fax. +358 6 4740790
www.palax.fi

FIN Tilausohje 15...18

Etsi kuva jossa haluamasi osa on.

Katso kuvasta osan numero.

Katso osaluettelosta kuvanumeron ja osanumeron avulla tilausnumero.

Tilauksessa mainittava aina tilausnumero, osan nimi, koneen sarjanumero ja valmistusvuosi.

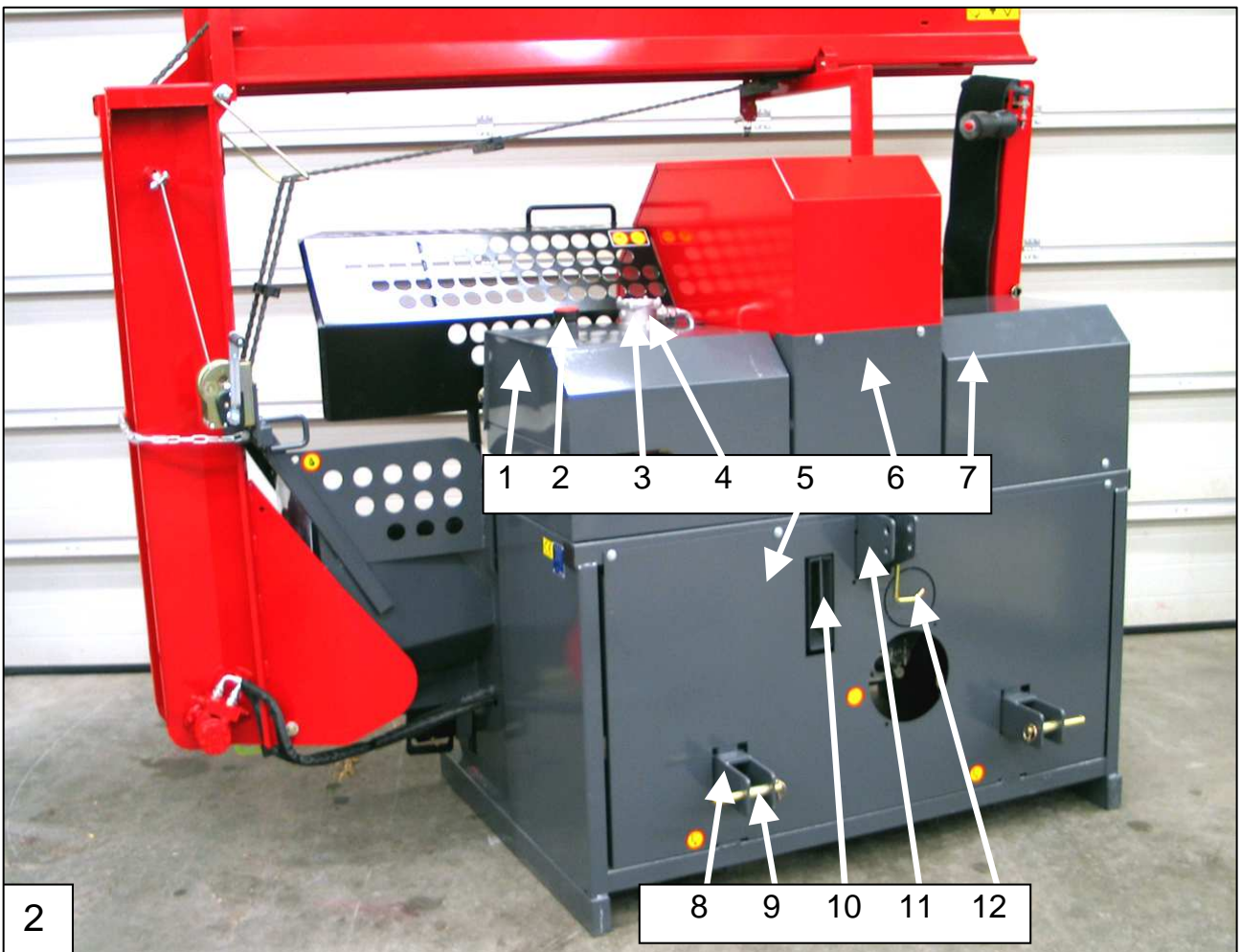
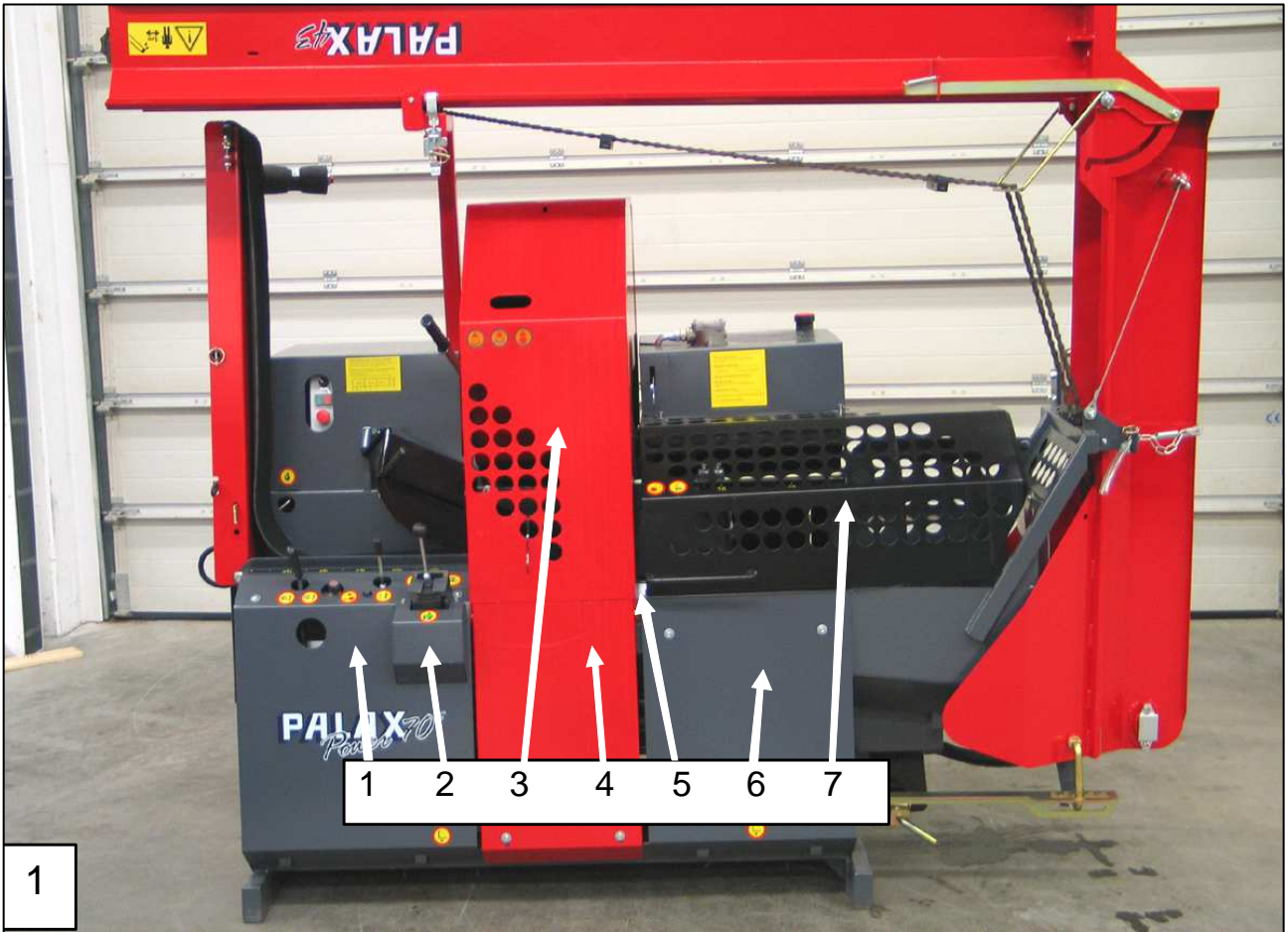
En Ordering guide 19...22

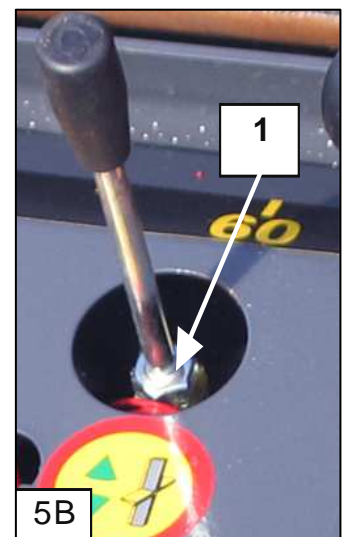
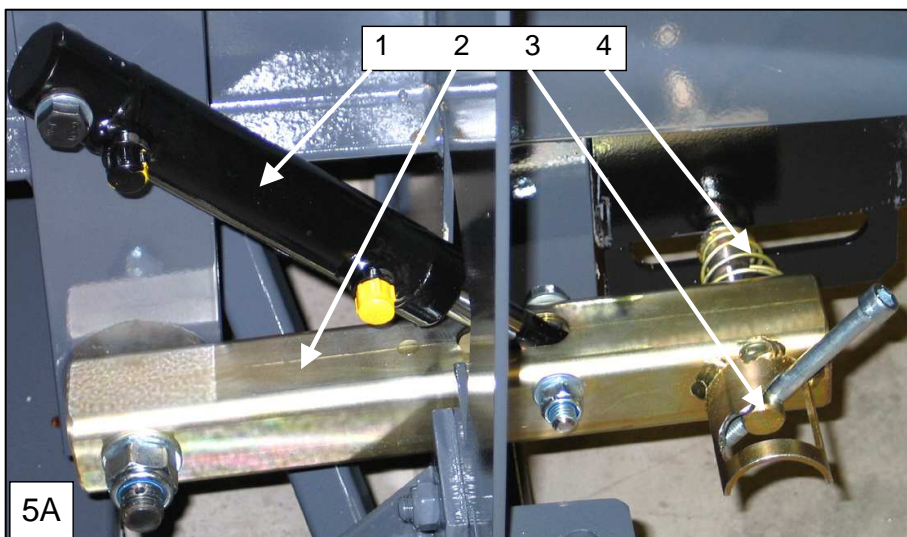
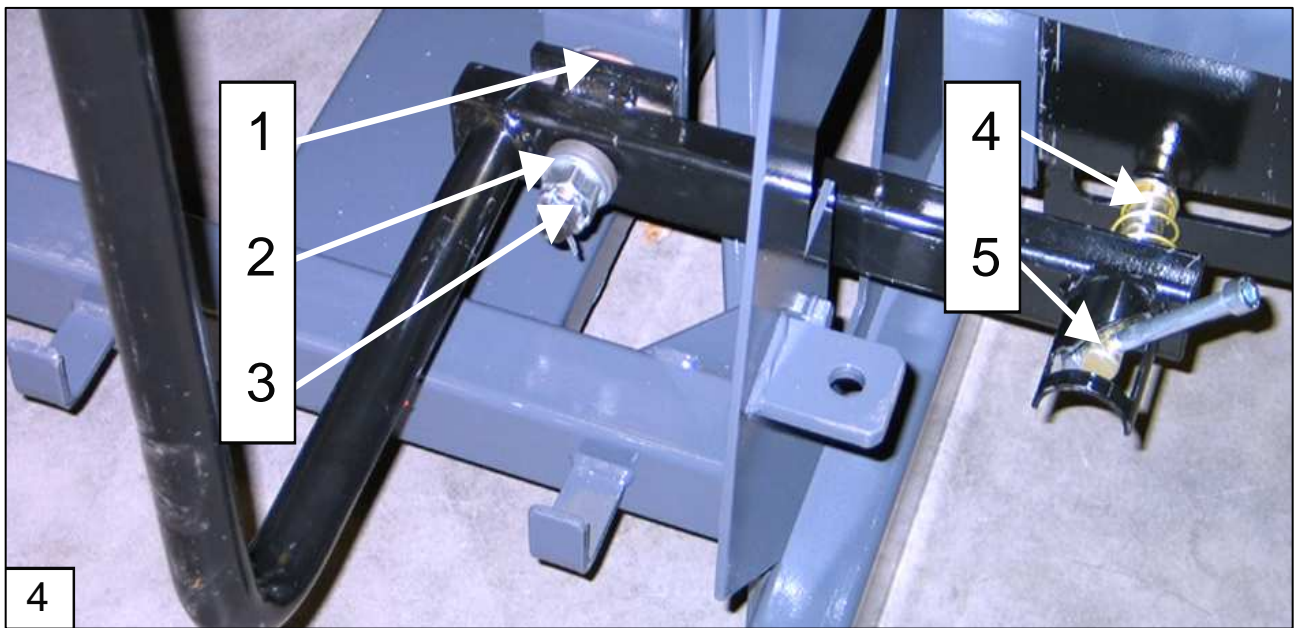
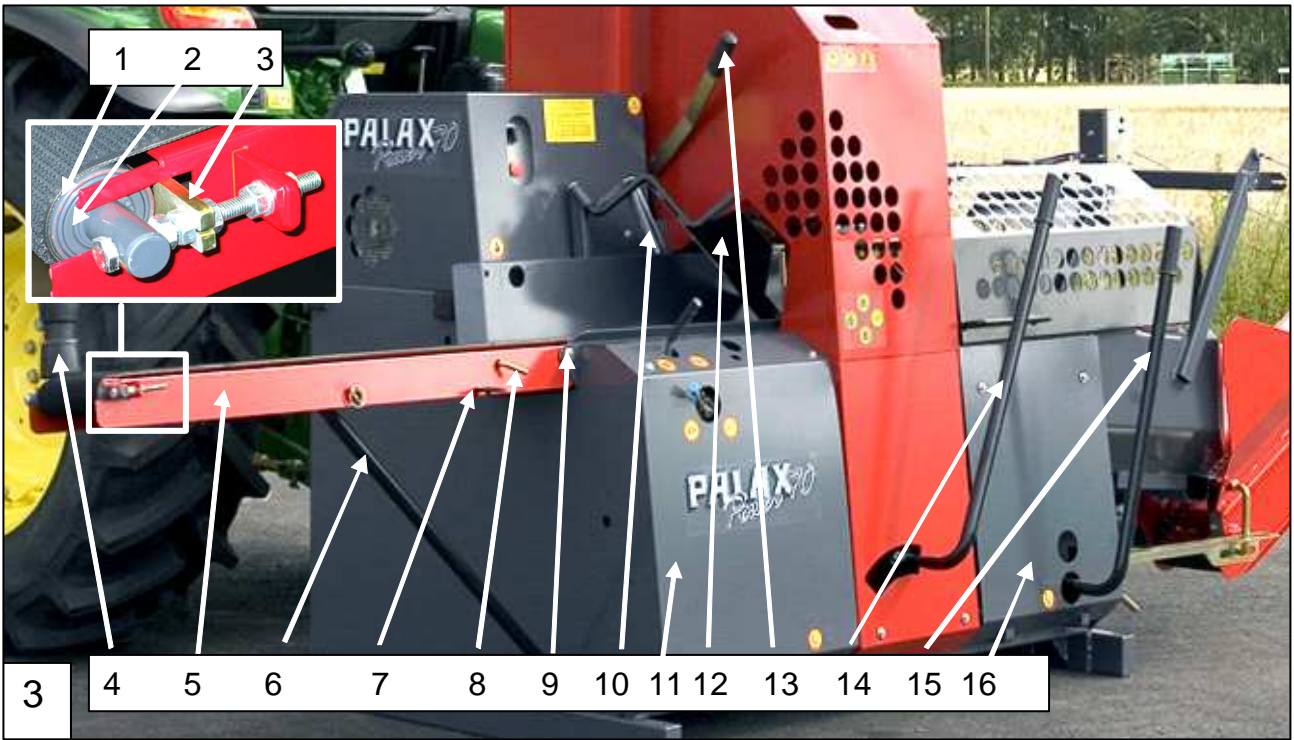
Seek the right picture.

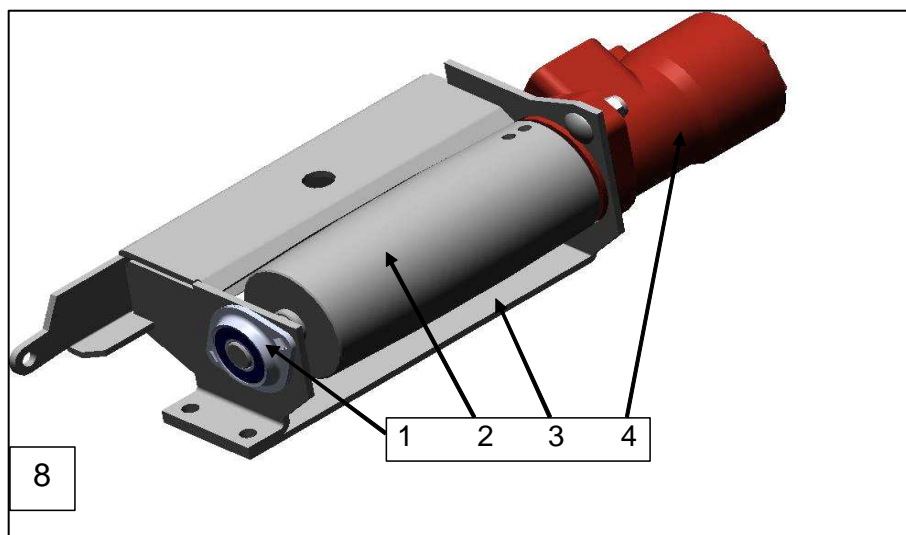
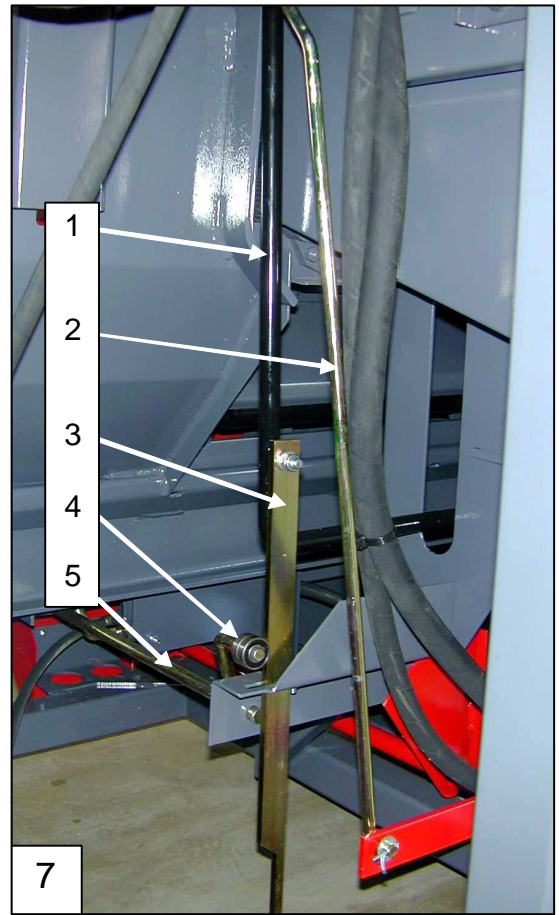
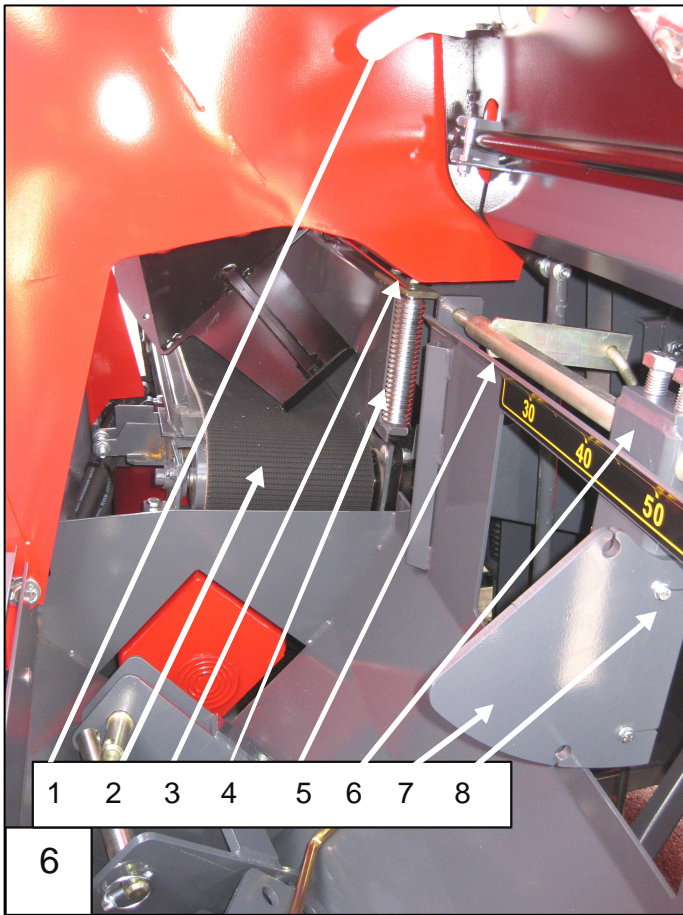
See the part number.

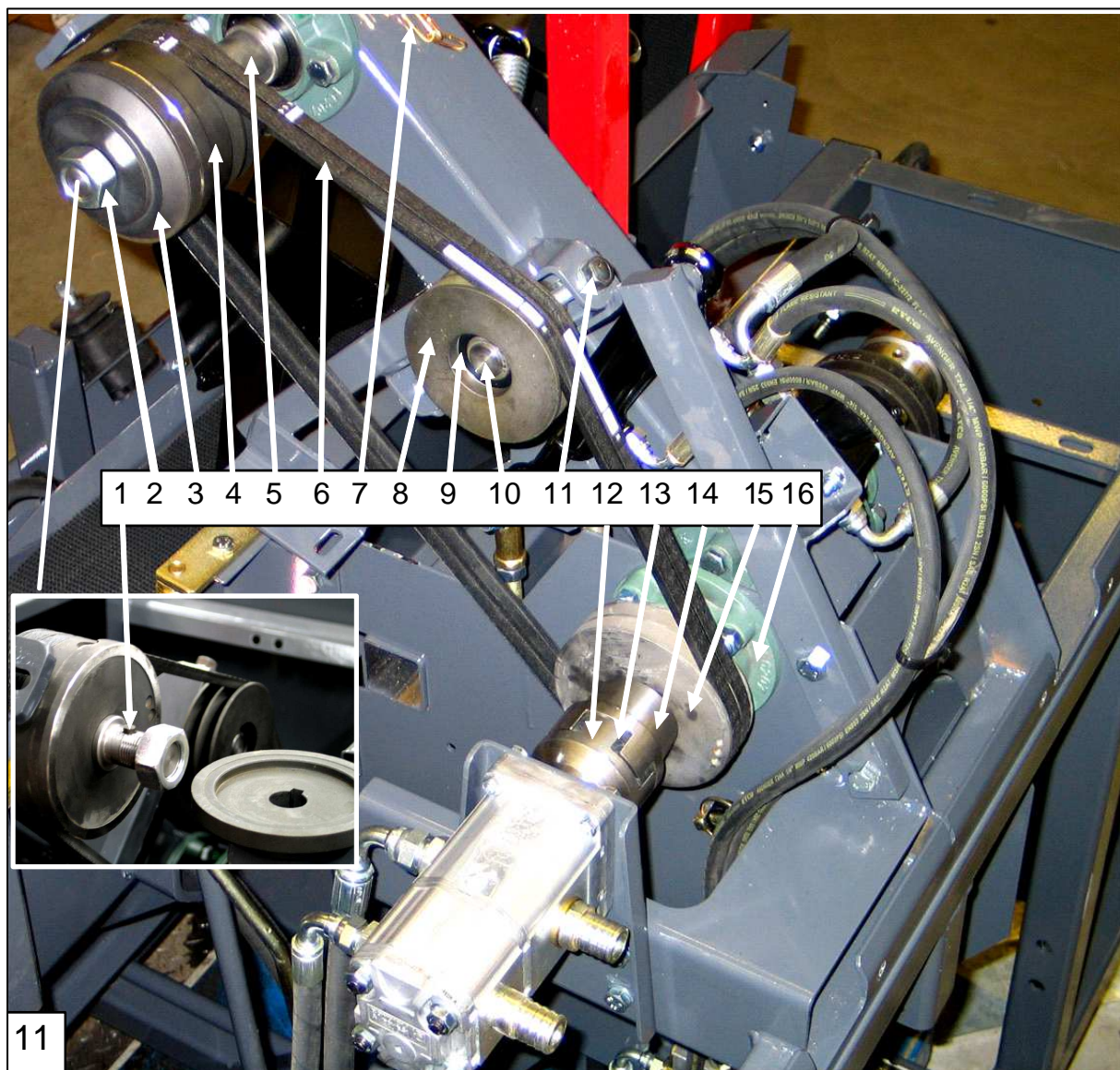
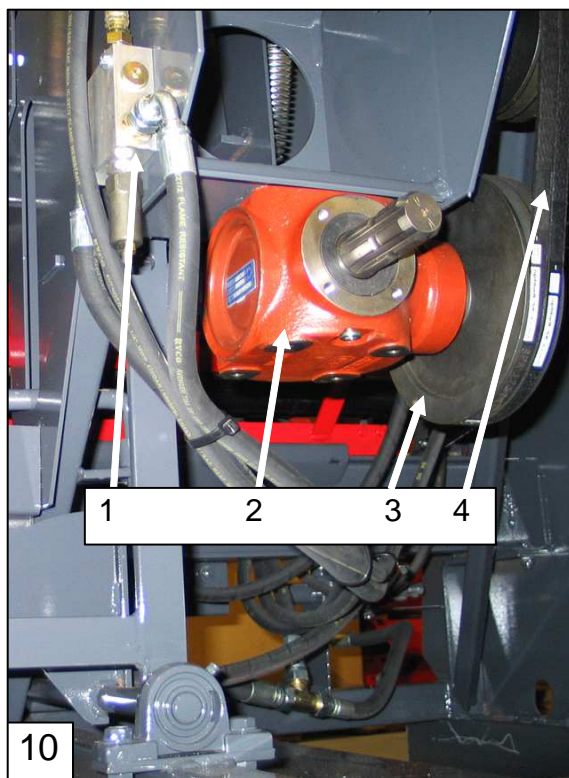
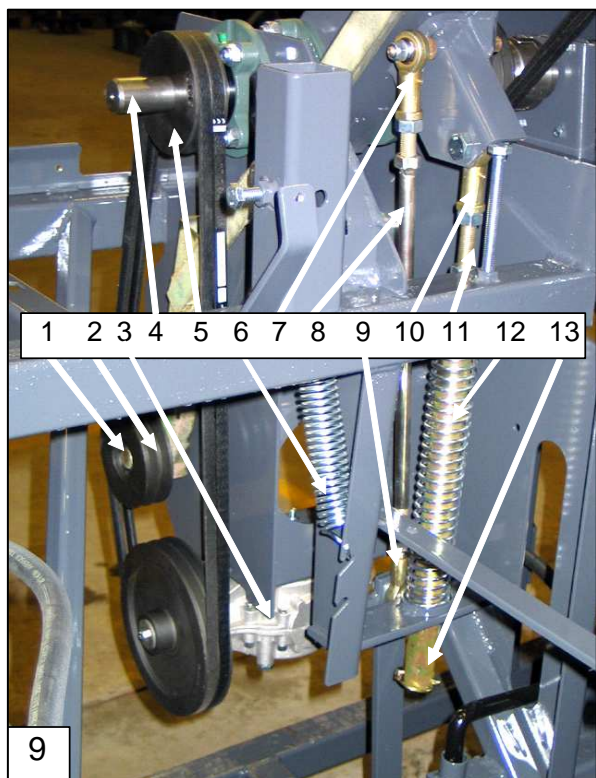
Look, by using the picture- and partnumber for the right orderingnumber of the sparepart from the spareparts list.

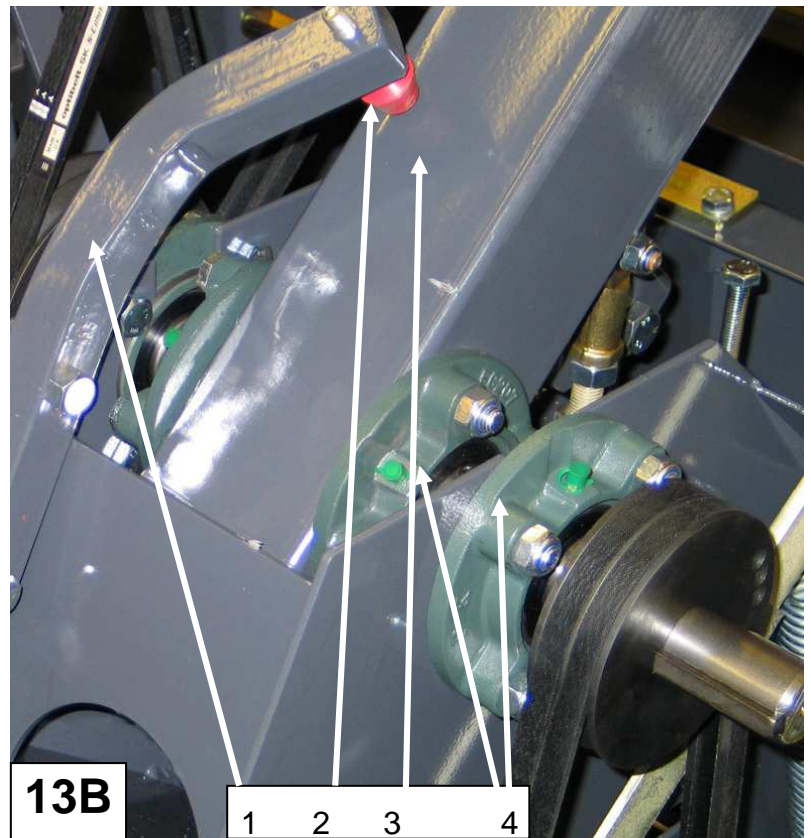
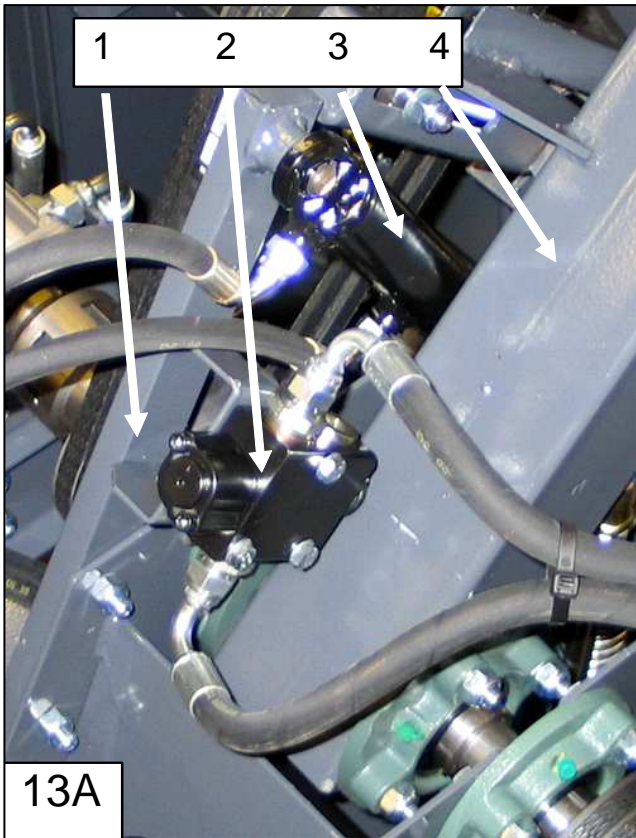
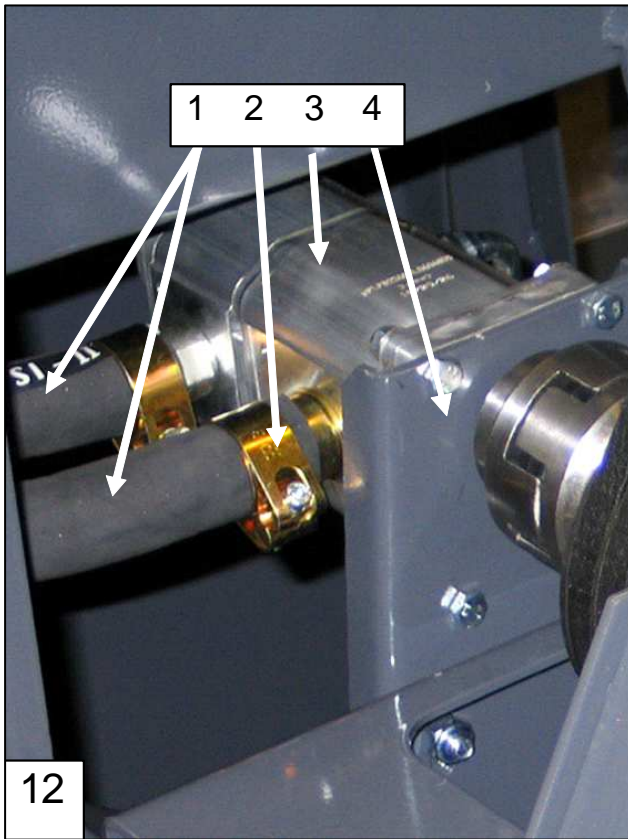
When ordering always mention the sparepart number, partname, serialnumber and manufacturing year.

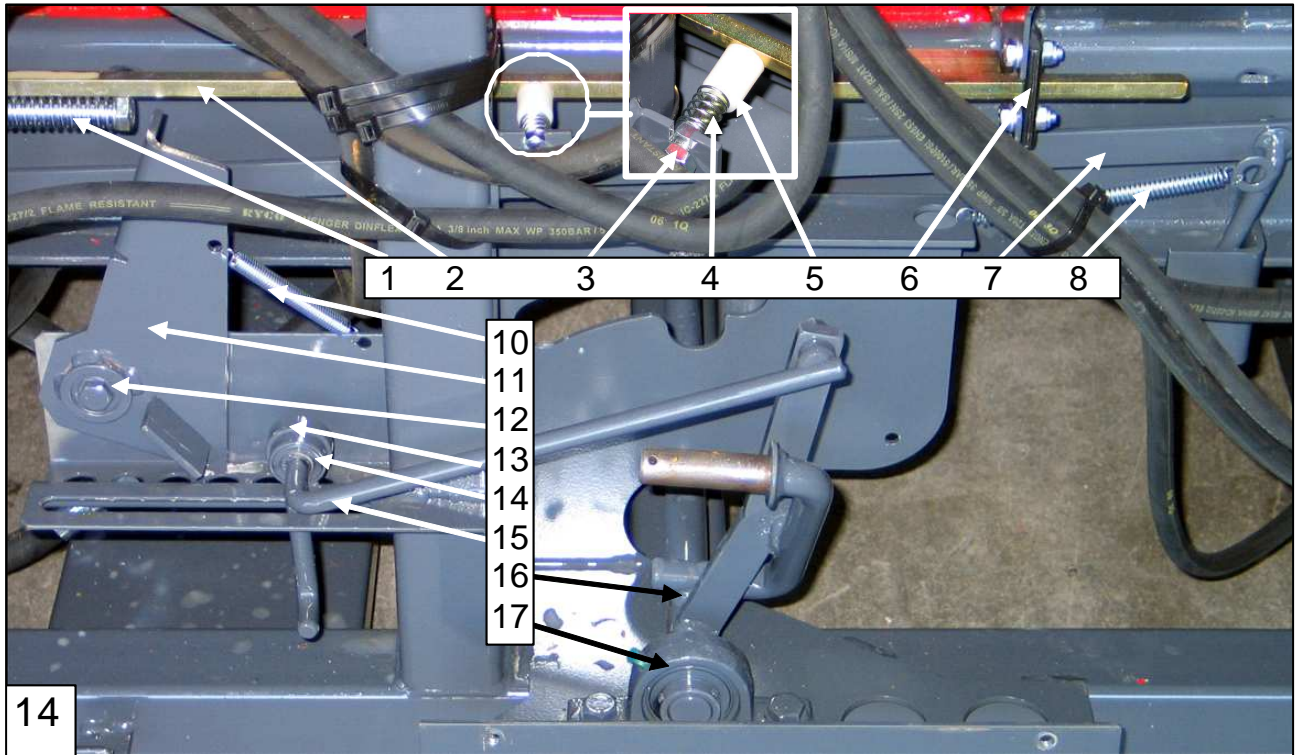


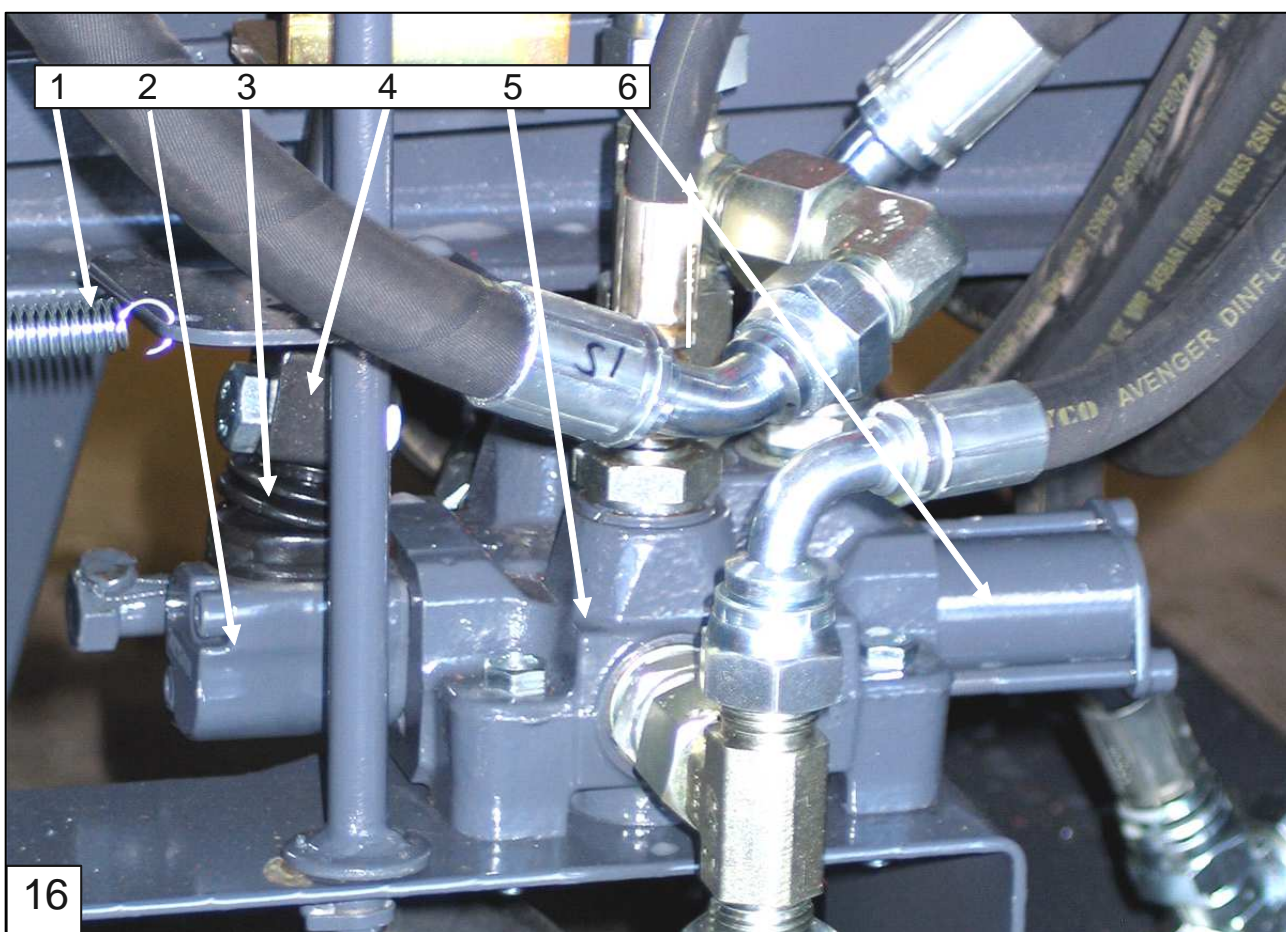
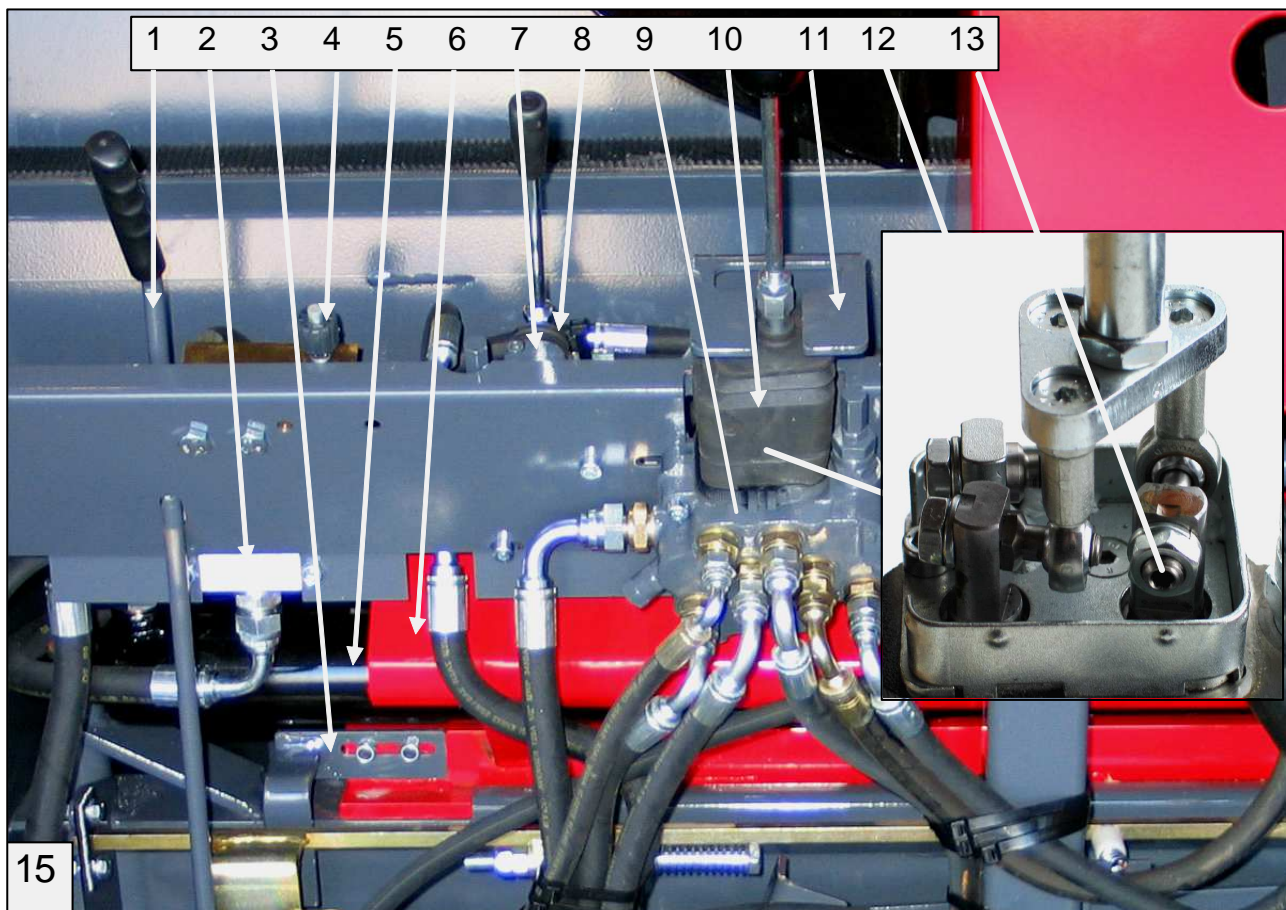


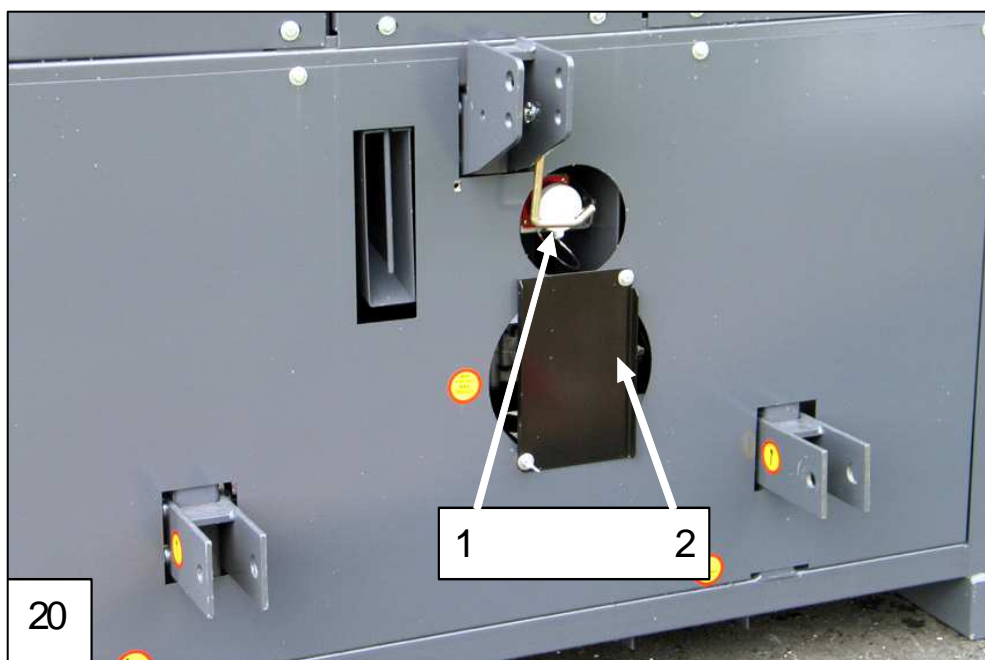
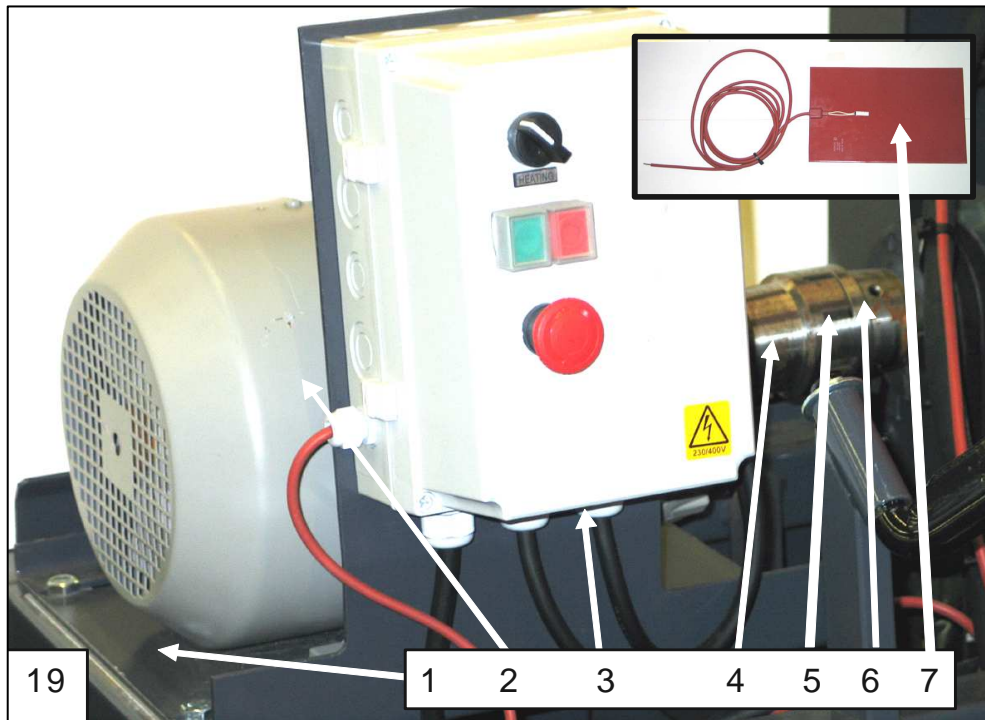
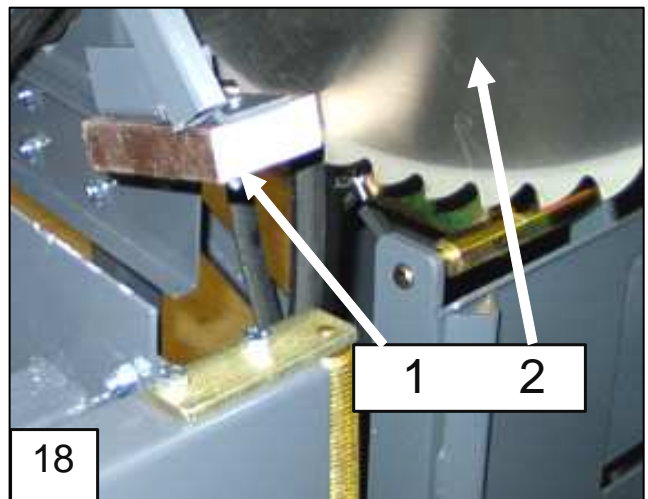
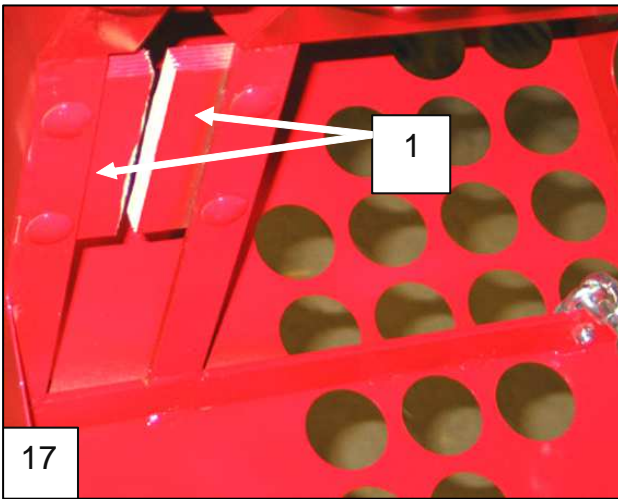


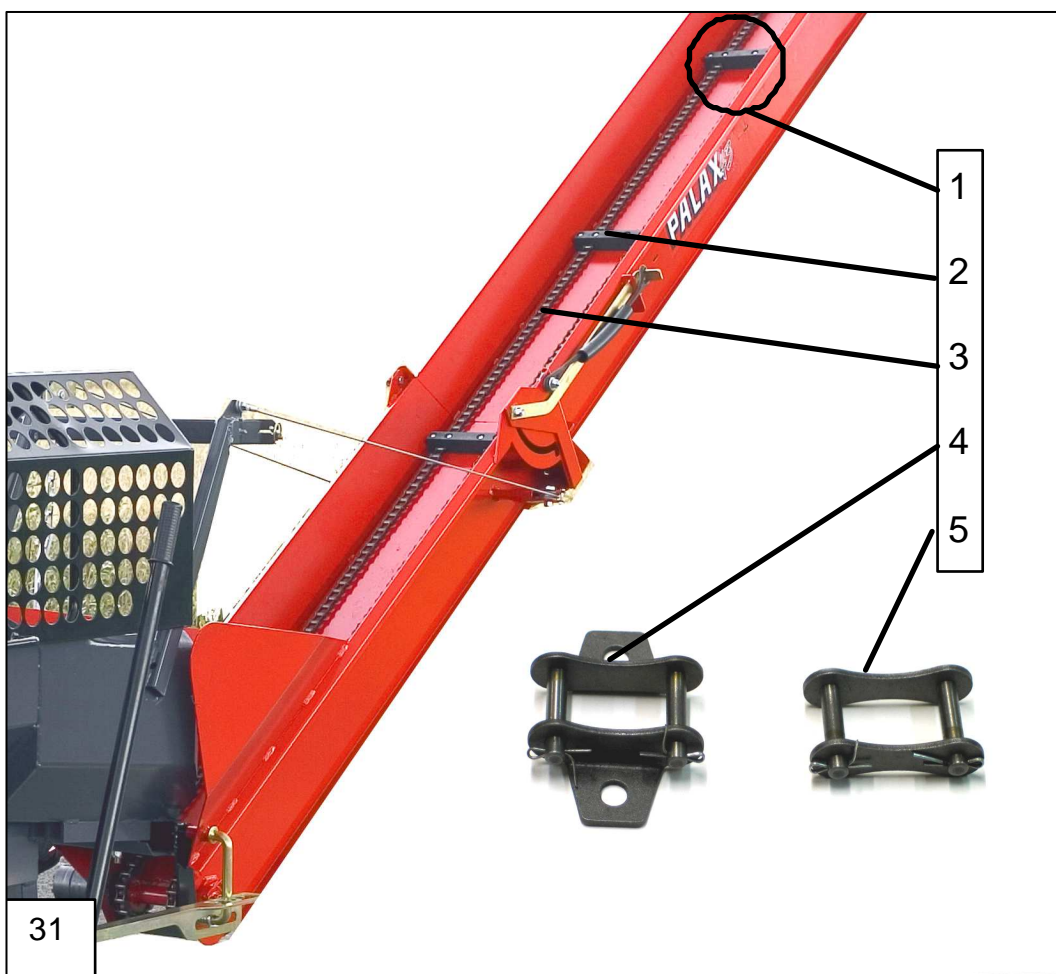
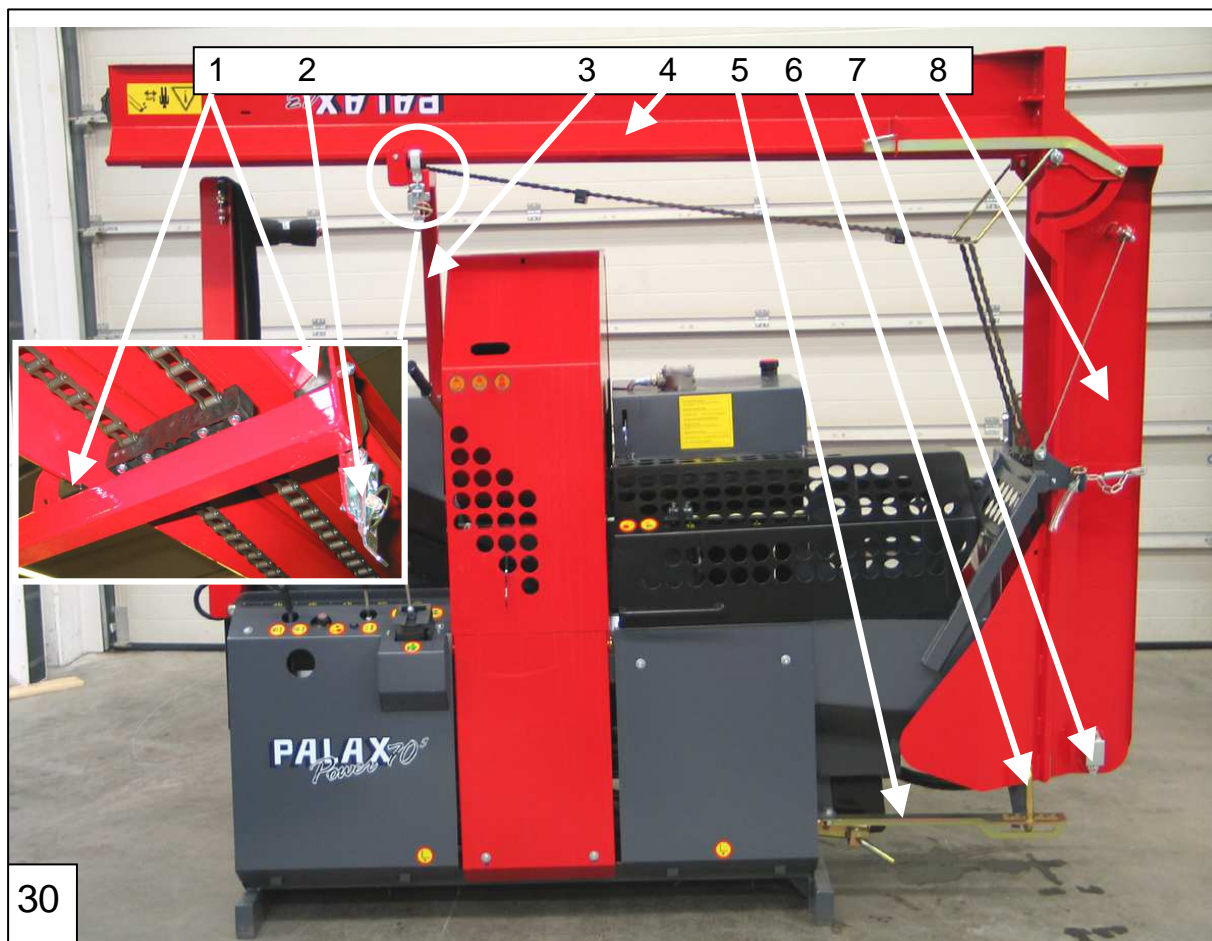


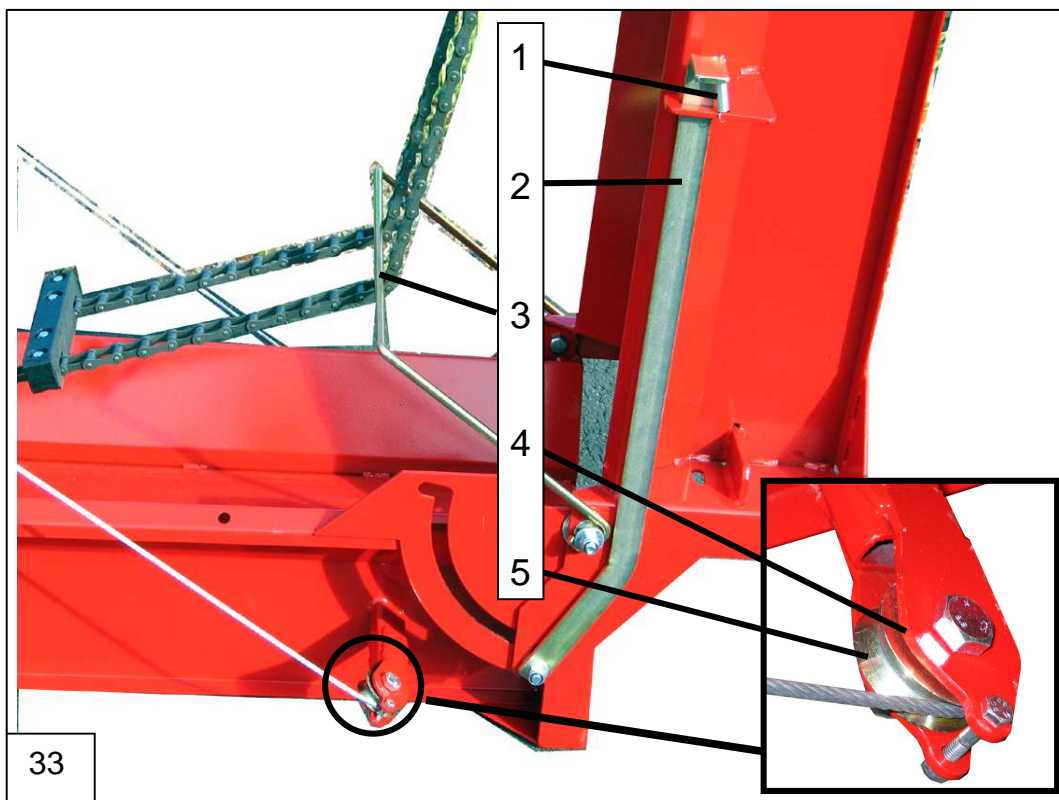
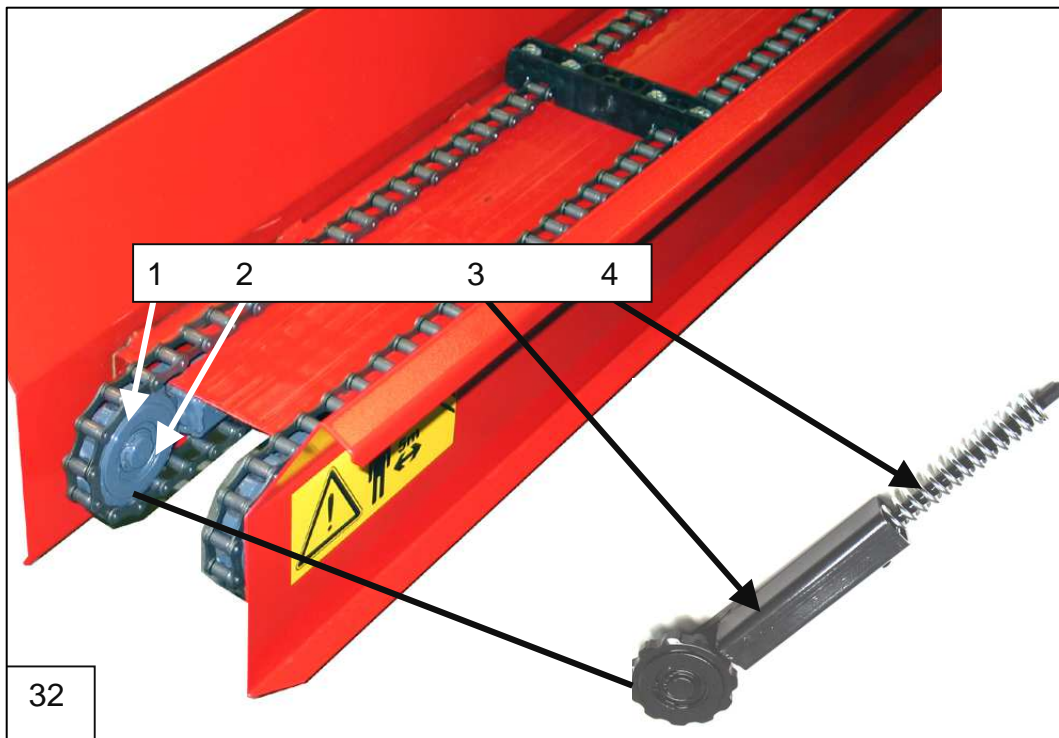


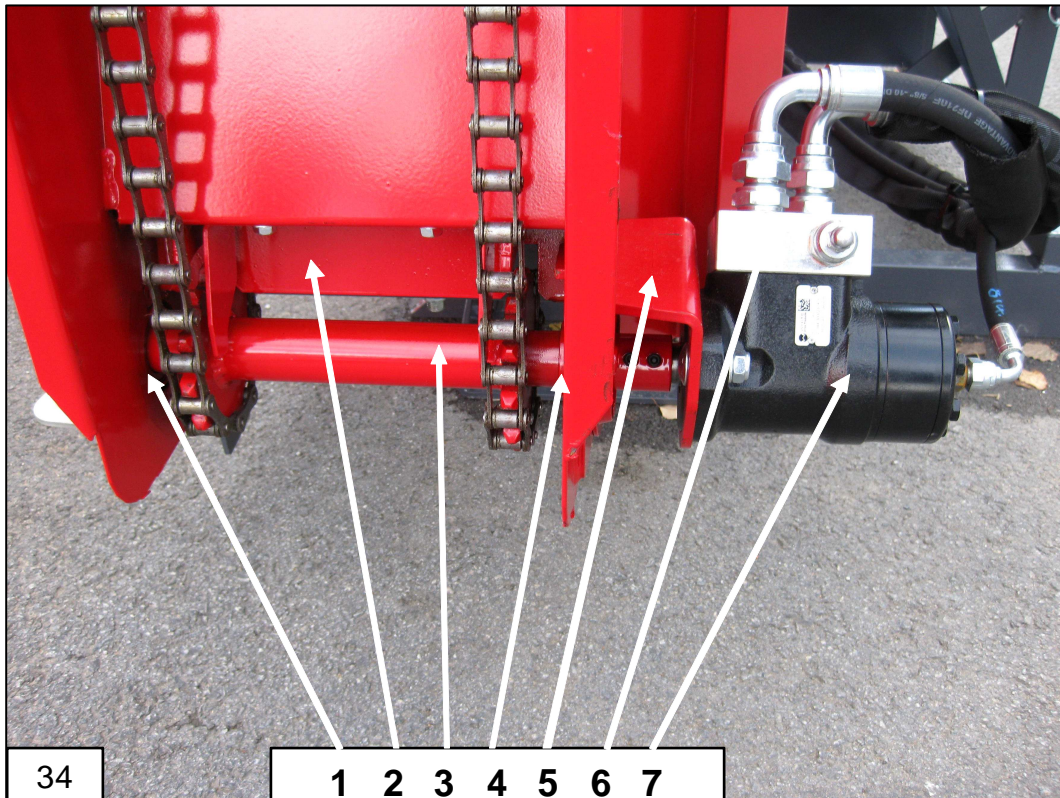












SUOMI

| Kuva | Osa | Koodi | Nimitys | |
|------|-----|--------|---------------------|-------|
| 1 | 1 | 31 434 | Etusuoja vasen | P70_S |
| 1 | 2 | 16 079 | Lisäkotelo | |
| 1 | 3 | 11 932 | Teräkotelo | |
| 1 | 4 | 31 436 | Etusuoja keski | |
| 1 | 5 | 11 956 | Sarana | |
| 1 | 6 | 31393 | Etusuoja Oikea | P70_S |
| 1 | 7 | 12 068 | Suojaverkko | |
| 2 | 1 | 11 906 | Öljysäiliö | |
| 2 | 2 | 10141 | Täyttökorkki | |
| 2 | 3 | 10 027 | Suodatin | |
| 2 | 4 | 32 455 | Suodatinpatruuna | |
| 2 | 5 | 31 301 | Takasuoja | |
| 2 | 6 | 11 948 | Alasuoja | |
| 2 | 7 | 11 983 | Sähköm.kotelo | |
| 2 | 8 | 12 047 | Vetov. korva | |
| 2 | 9 | 12 051 | Vetotappi | |
| 2 | 10 | 11 962 | Purukouru | |
| 2 | 11 | 13 600 | Työntövarrenkorva | |
| 2 | 12 | 10 910 | Nivelakselin koukku | |
| 3 | 1 | 31 396 | Jatkopöydän rulla | |
| 3 | 2 | 10 596 | Laakeri 6205 2RS | |
| 3 | 3 | 31 271 | Höylä | |
| 3 | 4 | 10 592 | Kölrulla | |
| 3 | 5 | 10 583 | Jatkopöytä | |
| 3 | 6 | 10 615 | Jatkopöydän jalka | |
| 3 | 7 | 10 600 | Kuminauha | |
| 3 | 8 | 13 613 | Lukitustappi | |
| 3 | 9 | 10 608 | Saranatappi | |
| 3 | 10 | 10 062 | Vetojousi | |
| 3 | 11 | 31 308 | Etusuoja vasen | P70 |
| 3 | 12 | 11 832 | Painin | |
| 3 | 13 | 12 149 | Kiristin | |
| 3 | 14 | 12 024 | Monitoimivipu | |
| 3 | 15 | 10 855 | Teränsäätökahva | |
| 3 | 16 | 31 309 | Etusuoja oikea | P70 |
| 4 | 1 | 10 017 | Kitkalevy | P70 |
| 4 | 2 | 10 018 | Lautasjousi | P70 |
| 4 | 3 | 10 019 | Mutteri | P70 |
| 4 | 4 | 31 444 | Kartiojousi | P70 |
| 4 | 5 | 31 443 | Lukitustappi | P70 |
| 5A | 1 | 10 986 | Sylinteri | HTS |
| 5A | 2 | 11 130 | Teränsäätövipu | HTS |
| 5A | 3 | 31 443 | Lukitustappi | HTS |
| 5A | 4 | 31 444 | Kartiojousi | HTS |
| 5B | 1 | 13 601 | Venttiili | HTS |
| 6 | 1 | 31 311 | Lukko | |

| | | | |
|----|----|--------|--------------------------|
| 6 | 2 | 10 543 | Syöttömatto |
| 6 | 3 | 11 782 | Ylälaakeri |
| 6 | 4 | 13 414 | Pöytäruulla, ylä |
| 6 | 5 | 12 104 | Pysäyttimen akseli |
| 6 | 6 | 12 111 | Pysäytin |
| 6 | 7 | 31 424 | Pysäytinlevy |
| 6 | 8 | 31 450 | Kuusioruuvi, M6x100 -8.8 |
| 7 | 1 | 12 138 | Polviakseli |
| 7 | 2 | 12 161 | Nostotanko |
| 7 | 3 | 31 303 | Kiila |
| 7 | 4 | 10 060 | Laakeri 6201 2RS |
| 7 | 5 | 12 129 | Kiilaakseli |
| 8 | 1 | 10 561 | Laakeri SBPFL204 |
| 8 | 2 | 10 553 | Vetorulla |
| 8 | 3 | 31 843 | Vetorullan kiinnitin |
| 8 | 4 | 11 779 | Georoottori |
| 9 | 1 | 10 596 | Laakeri 6205 2RS |
| 9 | 2 | 11 862 | Kiilahihnapyörä |
| 9 | 3 | 12 170 | Kulmavaihde, alumiini |
| 9 | 4 | 11 875 | Pääakseli |
| 9 | 5 | 11 883 | Kiilahihnapyörä |
| 9 | 6 | 10 062 | Vetojousi |
| 9 | 7 | 11 446 | Nivelpää |
| 9 | 8 | 12 157 | Tanko |
| 9 | 9 | 12 160 | Nivelpää, vas |
| 9 | 10 | 11 446 | Nivelpää |
| 9 | 11 | 11 346 | Säätötanko |
| 9 | 12 | 13 614 | Puristusjousi |
| 9 | 13 | 12 146 | Jousen ohjain |
| 10 | 1 | 14 531 | Paineenalennusvent |
| 10 | 2 | 14 528 | Kulmavaihde |
| 10 | 3 | 12 172 | Kiilahihnapyörä |
| 10 | 4 | 12 175 | Kiilahihna |
| 11 | 1 | 10 055 | Kiila |
| 11 | 2 | 10 043 | Mutteri |
| 11 | 3 | 11 846 | Kiinnityslaippa |
| 11 | 4 | 11 843 | Teräakseli |
| 11 | 5 | 31 413 | Holkki |
| 11 | 6 | 11 885 | Kiilahihna |
| 11 | 7 | 31 416 | Lukitustappi |
| 11 | 8 | 11 862 | Kiilahihnapyörä |
| 11 | 9 | 10 596 | Laakeri 6205 2RS |
| 11 | 10 | 11 861 | Kiristyspyörän akseli |
| 11 | 11 | 12 140 | Kiristin |
| 11 | 12 | 32 482 | Sakarakytkin, pumppu |
| 11 | 13 | 32 483 | Kumikytkin |
| 11 | 14 | 32484 | Sakarakytkin,pääakseli |
| 11 | 15 | 11 884 | Kiilahihnapyörä |
| 11 | 16 | 11 864 | Laakeri UCF 207 |
| 12 | 1 | 32 496 | Imuletku |

| | | | |
|-----|----|--------|----------------------|
| 12 | 2 | 31 426 | Klemmari |
| 12 | 3 | 12 184 | Pumppu |
| 12 | 4 | 11 964 | Pumpun alusta |
| 13A | 1 | 11 902 | Sylinterin pidin |
| 13A | 2 | 14 486 | Kuulapääventtiili |
| 13A | 3 | 13 657 | Sylinteri |
| 13A | 4 | 11 877 | Terävarsi |
| 13B | 1 | 12 182 | Ylätoppari |
| 13B | 2 | 32 477 | Paininkara |
| 13B | 3 | 11 877 | Terävarsi |
| 13B | 4 | 11 864 | Laakeri UCF 207 |
| 14 | 1 | 10 716 | Puristusjousi |
| 14 | 2 | 11 994 | Laukaisutanko |
| 14 | 3 | 31 391 | Jousipuikko |
| 14 | 4 | 31 412 | Puristusjousi |
| 14 | 5 | 31 898 | Nailonpusla |
| 14 | 6 | 13 605 | Liukupala |
| 14 | 7 | 12 135 | Stopparitanko |
| 14 | 8 | 10 008 | Vetojousi |
| 14 | 10 | 10 008 | Vetojousi |
| 14 | 11 | 12 093 | Laukaisulevy |
| 14 | 12 | 10 636 | Laakeri 6002 2RS |
| 14 | 13 | 10 081 | Laakeri 6301 2RS |
| 14 | 14 | 10 060 | Laakeri 6201 2RS |
| 14 | 15 | 12 118 | Laukaisuvipu |
| 14 | 16 | 12 007 | Monitoimiakseli |
| 14 | 17 | 13 635 | Laakeri UCP 205 |
| 15 | 1 | 11 987 | Laukaisuvipu |
| 15 | 2 | 10 096 | APV- venttiili |
| 15 | 3 | 11 954 | Puskimen ohjauslevy |
| 15 | 4 | 14 529 | Vastusvastaventtiili |
| 15 | 5 | 10 073 | Sylinteri 3,5 t |
| 15 | 5 | 10 071 | Sylinteri 5,6 t |
| 15 | 5 | 11 190 | Tiivistesarja 50/36 |
| 15 | 5 | 11 191 | Tiivistesarja 63/45 |
| 15 | 6 | 11 888 | Puskin |
| 15 | 7 | 13 601 | Venttiili |
| 15 | 8 | 11 193 | Suojakumi |
| 15 | 9 | 15 321 | Joystic venttiili |
| 15 | 10 | 13 664 | Suojakumi |
| 15 | 11 | 16 100 | Ohjauslevy |
| 15 | 12 | 13 666 | Joystic varaosasarja |
| 15 | 13 | 31 452 | Tappi 41 mm |
| 16 | 1 | 10 008 | Vetojousi |
| 16 | 2 | 11 194 | Karan siirtäjä |
| 16 | 3 | 11 193 | Suojakumi |
| 16 | 4 | 12 036 | Venttiilin vipu |
| 16 | 5 | 10 095 | Halkaisuventtiili |
| 16 | 6 | 11 192 | Lukituspää |
| 17 | 1 | 11 944 | Ohjain |

P70_S

P70_S

P70_S

P70_S

P70

P70

P70

HTS

HTS

P70_S

P70_S

P70_S

P70_S

P70_S

| | | | |
|----|---|--------|--------------------------|
| 18 | 1 | 11 863 | Ohjain |
| 18 | 2 | 11 847 | Katkaisuterä |
| 19 | 1 | 12 258 | Moottorinalusta |
| 19 | 2 | 10 104 | Sähkömoottori |
| 19 | 3 | 10 904 | Y-D- käynnistin |
| 19 | 4 | 32 485 | Sakarakytkin, SM |
| 19 | 5 | 32 483 | Kumikytkin |
| 15 | 6 | 32 484 | Sakarakytkin, akseli |
| 19 | 7 | 15 028 | Lämmitysmatto 300 W |
| 20 | 1 | 31 406 | Kojevastakealusta |
| 20 | 2 | 31 405 | Kääntöpelti SM |
| 30 | 1 | 10 993 | Muovituki |
| 30 | 2 | 14 369 | Lukko |
| 30 | 3 | 31 723 | Kuljettimen tuki |
| 30 | 4 | 31 726 | Ylärunko |
| 30 | 5 | 31 727 | Lukituspalkki |
| 30 | 6 | 31 728 | Sarana |
| 30 | 7 | 10 997 | Laakeri UCFL 205 |
| 30 | 8 | 31 846 | Alarunko |
| 31 | 1 | 31 730 | Kuljettimen ketju |
| 31 | 2 | 31 731 | Kola |
| 31 | 3 | 14 459 | Ketju |
| 31 | 4 | 11 198 | Kolan kiinnitysosa |
| 31 | 5 | 11 199 | Ketjun jatko- osa |
| 32 | 1 | 11 200 | Taittopyörä |
| 32 | 2 | 10 596 | Laakeri |
| 32 | 3 | 11 003 | Taittopyörän pidin |
| 32 | 4 | 11 004 | Puristusjousi |
| 33 | 1 | 10 008 | Vetojousi |
| 33 | 2 | 11 007 | Taiton lukko |
| 33 | 3 | 31 732 | Sanka |
| 33 | 4 | 10 082 | Laakeri |
| 33 | 5 | 14 392 | Vaijeripyörä |
| 34 | 1 | 10 633 | Laakeri |
| 34 | 2 | 32 153 | Rataan suoja |
| 34 | 3 | 32 154 | Vetoakseli |
| 34 | 4 | 32 151 | Laakeri |
| 34 | 5 | 32 152 | Moottorin alusta |
| 34 | 6 | 14 989 | Paineenrajoitusventtiili |
| 34 | 7 | 11 779 | Geroottori |
| 35 | 1 | 10 482 | Vaijeri |
| 35 | 2 | 10 995 | Kiinnitysketju |
| 35 | 3 | 31 558 | Suojaverho |
| 35 | 5 | 31 734 | Kääntöpalkki |
| 35 | 6 | 31 735 | Läppä |
| 35 | 7 | 10 993 | Muovituki |
| 35 | 8 | 11 197 | Vinssi |

ENGLISH

| Picture | Part | Code | Denomination | |
|---------|------|--------|-------------------------|-------|
| 1 | 1 | 31 434 | Front cover, left | P70_S |
| 1 | 2 | 16 079 | Additional housing | |
| 1 | 3 | 11 932 | Blade cover | |
| 1 | 4 | 31 436 | Front cover, centre | |
| 1 | 5 | 11 956 | Hinge | |
| 1 | 6 | 31393 | Front cover, right | P70_S |
| 1 | 7 | 12 068 | Protective net | |
| 2 | 1 | 11 906 | Oil tank | |
| 2 | 2 | 10141 | Fill cap | |
| 2 | 3 | 10 027 | Filter | |
| 2 | 4 | 32 455 | Filter cartridge | |
| 2 | 5 | 31 301 | Rear cover | |
| 2 | 6 | 11 948 | Bottom cover | |
| 2 | 7 | 11 983 | Electric motor rack | |
| 2 | 8 | 12 047 | Tow-bar lug | |
| 2 | 9 | 12 051 | Tow-pin | |
| 2 | 10 | 11 962 | Sawdust chute | |
| 2 | 11 | 13 600 | Toplink lug | |
| 2 | 12 | 10 910 | PTO-shaft hook | |
| 3 | 1 | 31 396 | Table extension roller | |
| 3 | 2 | 10 596 | Bearing 6205 2RS | |
| 3 | 3 | 31 271 | Scraper | |
| 3 | 4 | 10 592 | Keel roller | |
| 3 | 5 | 10 583 | Table extension | |
| 3 | 6 | 10 615 | Table extension leg | |
| 3 | 7 | 10 600 | Rubber band | |
| 3 | 8 | 13 613 | Lock pin | |
| 3 | 9 | 10 608 | Hinge pin | |
| 3 | 10 | 10 062 | Draw-spring | |
| 3 | 11 | 31 308 | Front cover left | P70 |
| 3 | 12 | 11 832 | Clamp | |
| 3 | 13 | 12 149 | Tightener | |
| 3 | 14 | 12 024 | Multi-function lever | |
| 3 | 15 | 10 855 | Wedge adjustment handle | |
| 3 | 16 | 31 309 | Front cover right | P70 |
| 4 | 1 | 10 017 | Friction plate | P70 |
| 4 | 2 | 10 018 | Cup spring | P70 |
| 4 | 3 | 10 019 | Nut | P70 |
| 4 | 4 | 31 444 | Conical spring | P70 |
| 4 | 5 | 31 443 | Lock pin | P70 |
| 5A | 1 | 10 986 | Cylinder | HTS |
| 5A | 2 | 11 130 | Shift lever | HTS |
| 5A | 3 | 31 443 | Lock pin | HTS |
| 5A | 4 | 31 444 | Conical spring | HTS |
| 5B | 1 | 13 601 | Valve | HTS |
| 6 | 1 | 31 311 | Lock | |

| | | | |
|----|----|--------|-------------------------|
| 6 | 2 | 10 543 | In-feed belt |
| 6 | 3 | 11 782 | Upper bearing |
| 6 | 4 | 13 414 | Table roller, upper |
| 6 | 5 | 12 104 | Stopper shaft |
| 6 | 6 | 12 111 | Stopper |
| 6 | 7 | 31 424 | Stop plate |
| 6 | 8 | 31 450 | Hex-screw M6x100 - 8.8 |
| 7 | 1 | 12 138 | Knuckle shaft |
| 7 | 2 | 12 161 | Lifting arm |
| 7 | 3 | 31 303 | Wedge |
| 7 | 4 | 10 060 | Bearing 6201 2RS |
| 7 | 5 | 12 129 | Wedge shaft |
| 8 | 1 | 10 561 | Bearing SBPFL204 |
| 8 | 2 | 10 553 | Drive roller |
| 8 | 3 | 31 843 | Drive roller's fastener |
| 8 | 4 | 11 779 | Gerotor |
| 9 | 1 | 10 596 | Bearing 6205 2RS |
| 9 | 2 | 11 862 | V-belt pulley |
| 9 | 3 | 12 170 | Angular gear |
| 9 | 4 | 11 875 | Main shaft |
| 9 | 5 | 11 883 | V-belt pulley |
| 9 | 6 | 10 062 | Draw-spring |
| 9 | 7 | 11 446 | Swivel head |
| 9 | 8 | 12 157 | Rod |
| 9 | 9 | 12 160 | Swivel head, left |
| 9 | 10 | 11 446 | Swivel head |
| 9 | 11 | 11 346 | Adjustment rod |
| 9 | 12 | 13 614 | Pressure spring |
| 9 | 13 | 12 146 | Spring guide |
| 10 | 1 | 14 531 | Pressure relief valve |
| 10 | 2 | 14 528 | Angular gear |
| 10 | 3 | 12 172 | V-belt pulley |
| 10 | 4 | 12 175 | V-belt |
| 11 | 1 | 10 055 | Wedge |
| 11 | 2 | 10 043 | Nut |
| 11 | 3 | 11 846 | Attachment flange |
| 11 | 4 | 11 843 | Blade shaft |
| 11 | 5 | 31 413 | Bushing |
| 11 | 6 | 11 885 | V-belt |
| 11 | 7 | 31 416 | Lock pin |
| 11 | 8 | 11 862 | V-belt pulley |
| 11 | 9 | 10 596 | Bearing 6205 2RS |
| 11 | 10 | 11 861 | Tightening wheel shaft |
| 11 | 11 | 12 140 | Tightener |
| 11 | 12 | 32 482 | Claw-clutch, pump |
| 11 | 13 | 32 483 | Rubber coupling |
| 11 | 14 | 32484 | Claw-clutch, shaft |
| 11 | 15 | 11 884 | V-belt pulley |
| 11 | 16 | 11 864 | Bearing UCF 207 |
| 12 | 1 | 32 496 | Suction hose |

| | | | | |
|-----|----|--------|-----------------------------|-------|
| 12 | 2 | 31 426 | Clamp | |
| 12 | 3 | 12 184 | Pump | |
| 12 | 4 | 11 964 | Pump rack | |
| 13A | 1 | 11 902 | Cylinder holder | P70_S |
| 13A | 2 | 14 486 | Ball-head valve | P70_S |
| 13A | 3 | 13 657 | Cylinder | P70_S |
| 13A | 4 | 11 877 | Saw-blade arm | P70_S |
| 13B | 1 | 12 182 | upper cut-off | P70 |
| 13B | 2 | 32 477 | Presser Spool | P70 |
| 13B | 3 | 11 877 | Saw-blade arm | P70 |
| 13B | 4 | 11 864 | Bearing UCF 207 | |
| 14 | 1 | 10 716 | Pressure spring | |
| 14 | 2 | 11 994 | Launch bar | |
| 14 | 3 | 31 391 | Spring pin | |
| 14 | 4 | 31 412 | Pressure spring | |
| 14 | 5 | 31 898 | Nylon bushing | |
| 14 | 6 | 13 605 | Guide block | |
| 14 | 7 | 12 135 | Stop pin | |
| 14 | 8 | 10 008 | Draw-spring | |
| 14 | 10 | 10 008 | Draw-spring | |
| 14 | 11 | 12 093 | Launch plate | |
| 14 | 12 | 10 636 | Bearing 6002 2RS | |
| 14 | 13 | 10 081 | Bearing 6301 2RS | |
| 14 | 14 | 10 060 | Bearing 6201 2RS | |
| 14 | 15 | 12 118 | Launch bar | |
| 14 | 16 | 12 007 | Multi-purpose shaft | |
| 14 | 17 | 13 635 | Bearing UCP 205 | |
| 15 | 1 | 11 987 | Launch bar | |
| 15 | 2 | 10 096 | APV- valve | |
| 15 | 3 | 11 954 | Guide plate for pusher | |
| 15 | 4 | 14 529 | Check valve | |
| 15 | 5 | 10 073 | Cylinder 3,5 t | |
| 15 | 5 | 10 071 | Cylinder 5.6 t | |
| 15 | 5 | 11 190 | Seal kit 50/36 | |
| 15 | 5 | 11 191 | Seal kit 63/45 | |
| 15 | 6 | 11 888 | Ram | |
| 15 | 7 | 13 601 | Valve | |
| 15 | 8 | 11 193 | Rubber cover | |
| 15 | 9 | 15 321 | Joystick valve | HTS |
| 15 | 10 | 13 664 | Rubber cover | HTS |
| 15 | 11 | 16 100 | Guide plate | P70_S |
| 15 | 12 | 13 666 | Spare part kit for Joystick | P70_S |
| 15 | 13 | 31 452 | Pin 41 mm | P70_S |
| 16 | 1 | 10 008 | Draw-spring | P70_S |
| 16 | 2 | 11 194 | Spool shifter | P70_S |
| 16 | 3 | 11 193 | Rubber cover | |
| 16 | 4 | 12 036 | Valve lever | |
| 16 | 5 | 10 095 | Splitting valve | |
| 16 | 6 | 11 192 | Detent end | |
| 17 | 1 | 11 944 | Guide | |

| | | | |
|----|---|--------|---------------------|
| 18 | 1 | 11 863 | Guide |
| 18 | 2 | 11 847 | Crosscut saw-blade |
| 19 | 1 | 12 258 | Engine rackx |
| 19 | 2 | 10 104 | Electric motor |
| 19 | 3 | 10 904 | Y/D starter |
| 19 | 4 | 32 485 | Claw-clutch, motor |
| | 5 | 32 483 | Rubber coupling |
| 19 | 6 | 32 484 | Claw-clutch, shaft |
| 19 | 7 | 15 028 | Heater carpet 300 W |
| 20 | 1 | 31 406 | Appliance inlet bed |
| 20 | 2 | 31 405 | Pivot plate SM |
| 30 | 1 | 10 993 | Plastic support |
| 30 | 2 | 14 369 | Lock |
| 30 | 3 | 31 723 | Conveyor support |
| 30 | 4 | 31 726 | Upper frame |
| 30 | 5 | 31 727 | Lock-up beam |
| 30 | 6 | 31 728 | Hinge |
| 30 | 7 | 10 997 | Bearing UCFL 205 |
| 30 | 8 | 31 846 | Lower frame |
| 31 | 1 | 31 730 | Conveyor chain |
| 31 | 2 | 31 731 | Scraper |
| 31 | 3 | 14 459 | Chain |
| 31 | 4 | 11 198 | Scraper clamp |
| 31 | 5 | 11 199 | Chain extension |
| 32 | 1 | 11 200 | Idler |
| 32 | 2 | 10 596 | Bearing |
| 32 | 3 | 11 003 | Idler holder |
| 32 | 4 | 11 004 | Pressure spring |
| 33 | 1 | 10 008 | Draw-spring |
| 33 | 2 | 11 007 | Swing lock |
| 33 | 3 | 31 732 | Bow |
| 33 | 4 | 10 082 | Bearing |
| 33 | 5 | 14 392 | Wire-rope pulley |
| 34 | 1 | 10 633 | Bearing |
| 34 | 2 | 32 153 | Cover |
| 34 | 3 | 32 154 | Drive shaft |
| 34 | 4 | 32 151 | Bearing |
| 34 | 5 | 32 152 | Motor base |
| 34 | 6 | 14 989 | Pressure limiter |
| 34 | 7 | 11 779 | Gerotor |
| 35 | 1 | 10 482 | Wire |
| 35 | 2 | 10 995 | Attachment chain |
| 35 | 3 | 31 558 | Protective curtain |
| 35 | 5 | 31 734 | Swing beam |
| 35 | 6 | 31 735 | Clap |
| 35 | 7 | 10 993 | Plastic support |
| 35 | 8 | 11 197 | Winch |