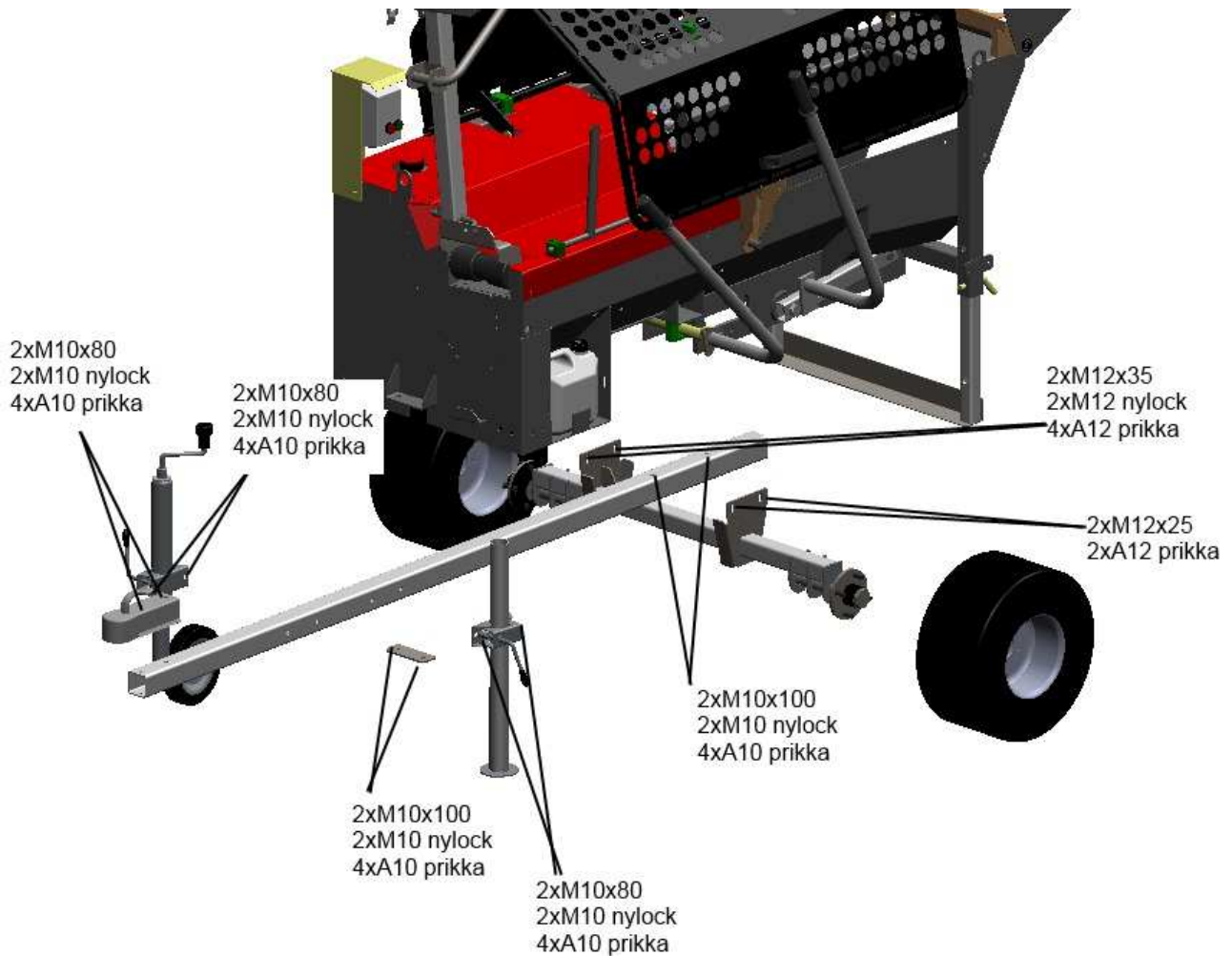
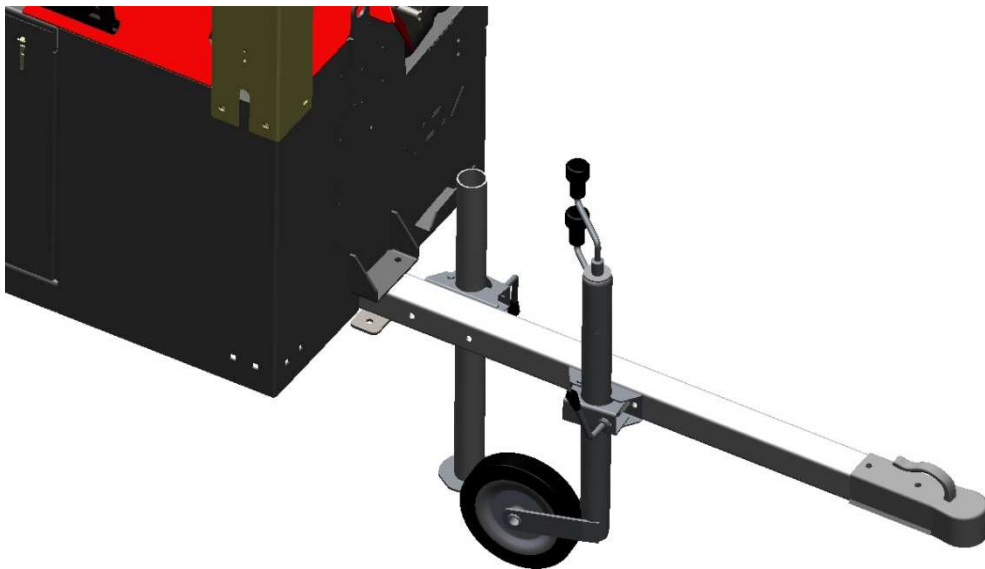
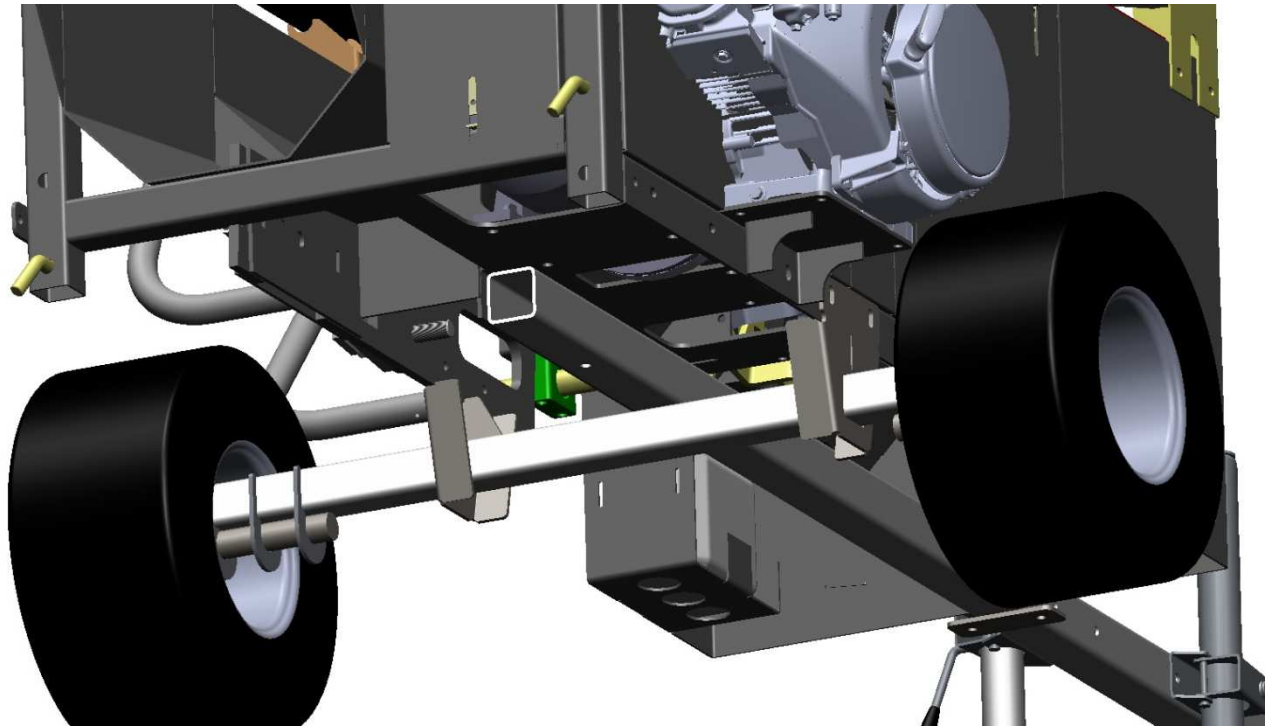


Instructions for installing light transport platform on Palax Active





1. Lift the tow-bar in position and attach it using M10 bolts
2. Install the coupling, the jockey wheel and the support leg on the tow-bar
3. Lift the axle unit in position, with its longer side on the operator's side, attach using M12 bolts
4. Attach the wheels to the axle, with the valves pointing outward